



**Versions:**

125B DX/SX – version 125B with 1 armrest right/left  
140B прав/лев – version 125B with 1 armrest right/left  
160B прав/лев – version 125B with 1 armrest right/left  
180B прав/лев – version 125B with 1 armrest right/left  
Corner  
Pouf

**Structure:** poplar-wood, multilayer and plywood covered with polyurethane foam. Elastic webbing for seat and back support.

**Back padding:** Ecological polyurethane foam covered with 100% polyester padding

**Seat cushions:** Ecological polyurethane foam covered with mollapiuma layer.

**Armrest:** Ecological polyurethane foam covered with 100% polyester padding.

**Removability:** seat cushion covering is removable.

**Sewing:** cuts and sewings may vary on different fabric coverings.

**Feet:** The model is equipped with beech-wood cone-shaped feet 10 cm high hidden by passementerie. Some versions can be equipped with additional hidden feet with structural support function.

**Décor:** Model is decorated with long brush trimming (12 cm long) that goes around the base and hide the feet. Armrests and back is decorated with cording that is fixed in the center of the top and divides it in two parts.

**Additionally:** Some version are equipped with pillows (50% down, 50% synthetic filling):

125B DX/SX – C104 with brush trimmings (60\*60 cm) – 1 pillow, C109 with piping (45\*45 cm) – 1 pillow.

140B DX/SX – C104 with brush trimmings (60\*60 cm) – 1 pillow, C109 with piping (45\*45 cm) – 2 pillow.

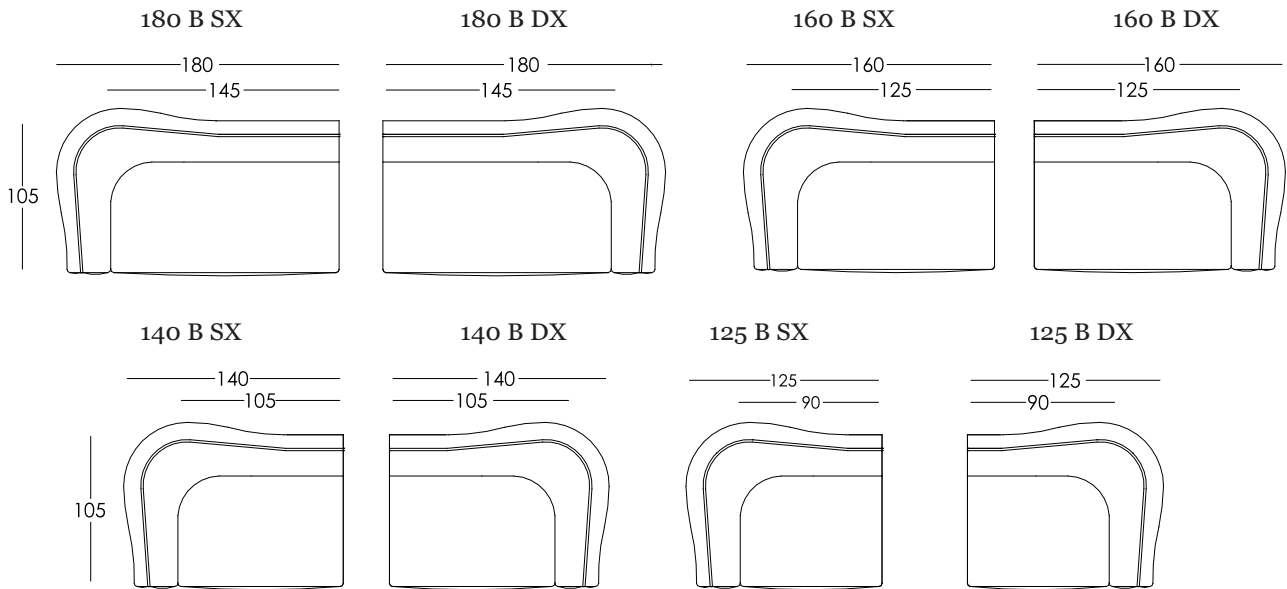
160B DX/SX – C104 with brush trimmings (60\*60 cm) – 1 pillow, C109 with piping (45\*45 cm) – 2 pillow.

180B DX/SX - C104 with brush trimmings (60\*60 cm) – 1 pillow, C109 with piping (45\*45 cm) – 3 pillow.

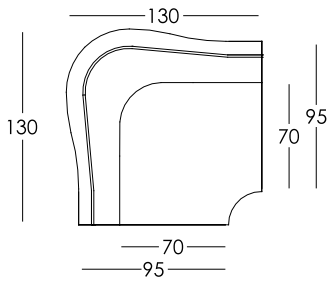
Corner - C104 with brush trimmings (60\*60 cm) – 1 pillow, C109 with piping (45\*45 cm) – 2 pillow.

**We also recommend to add some C304 pillows that should be ordered separately.**

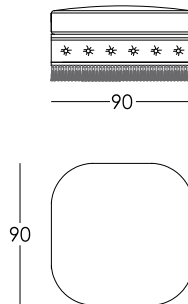
With the reservation of carrying for production purposes and without advanced notices modifications on the materials, coverings and dimensions of the product as indicated in the relevant specification. The given dimensions and volume are of indicative value being subject to the production process tolerances.



Corner/ Modulo trapezia



Pouf /Pouf



Composizione:

140BDX+140BSX

125BDX+125BSX

