



**Versions:**

266A – 3-seater  
233A – 2-seater  
114A – armchair  
Pouf

**Structure:** poplar-wood, multilayer and plywood covered with polyurethane foam. Elastic webbing for seat and back support.

**Back padding:** Ecological polyurethane foam covered with 100% polyester padding

**Seat cushions:** Ecological polyurethane foam covered with mollapiuma layer.

**Armrest:** Ecological polyurethane foam covered with 100% polyester padding.

**Removability:** seat cushion covering is removable.

**Sewing:** cuts and sewings may vary on different fabric coverings.

**Feet:** The model is equipped with beech-wood cone-shaped feet 10 cm high hidden by passementerie. Some versions can be equipped with additional hidden feet with structural support function.

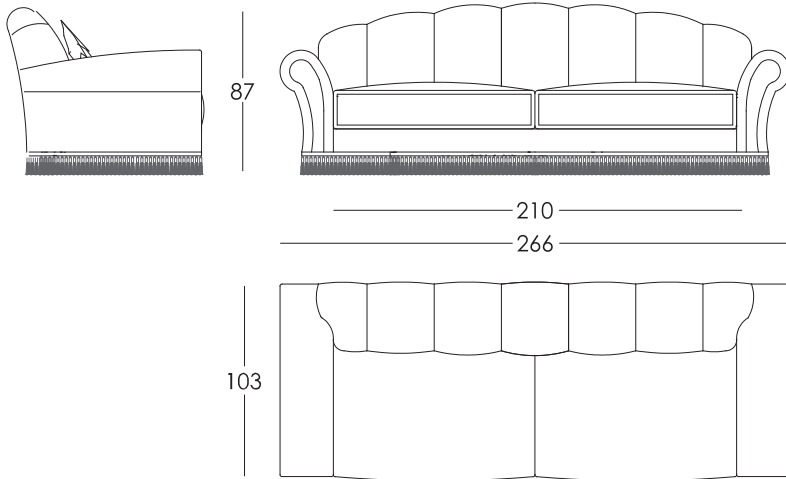
**Décor:** Model is decorated with long brush trimming (12 cm long) that goes around the base and hide the feet.

**Optional:** Brush trimming and cone-shaped feet can be replaced by classic “capriole” feet 10 cm high made of oak-wood. Available coloured in walnut (0010), walnut+golden (0011), walnut+silver (0012), wenge (0013), white (0014), sand(0015), stained beech (0016), white patina (0017), gold (0018), gold patina (0019), silver (0020), silver patina (0021).

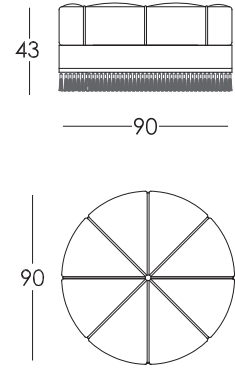
***Please, note that all pillows should be ordered separately.***

With the reservation of carrying for production purposes and without advanced notices modifications on the materials, coverings and dimensions of the product as indicated in the relevant specification. The given dimensions and volume are of indicative value being subject to the production process tolerances.

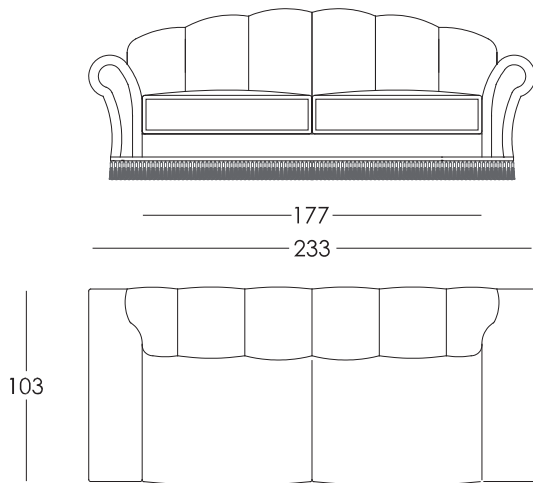
266 A



Pouf



233 A



114 A

