



**Versions:**

230A – 3-seater  
210A – 2.5-seater  
190A – 2-seater  
170A – 1.5-seater  
100A – armchair  
Pouf

**Structure:** poplar-wood, multilayer and plywood covered with polyurethane foam. Elastic webbing for seat and back support.

**Back padding:** Ecological polyurethane foam covered with 100% polyester padding

**Seat cushions:** Ecological polyurethane foam covered with mollapiuma layer.

**Armrest:** Ecological polyurethane foam covered with 100% polyester padding.

**Removability:** seat cushion covering is removable.

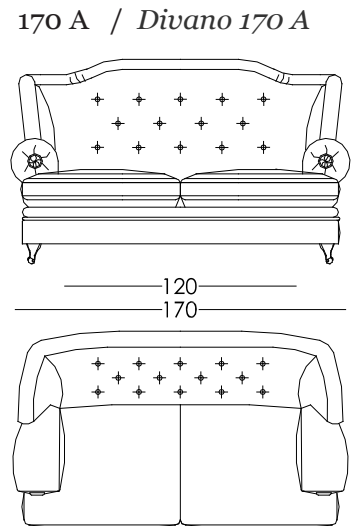
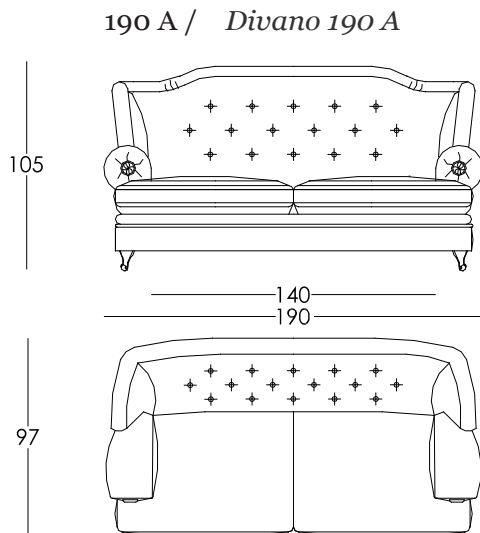
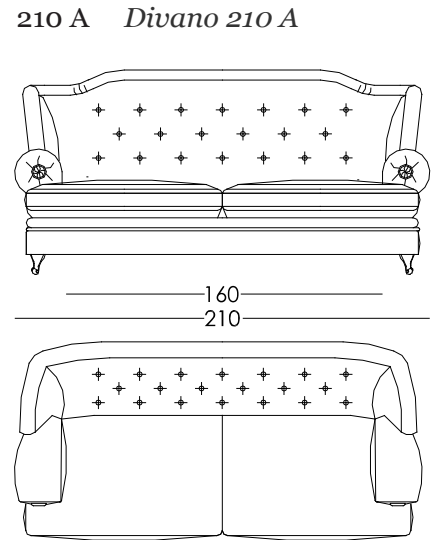
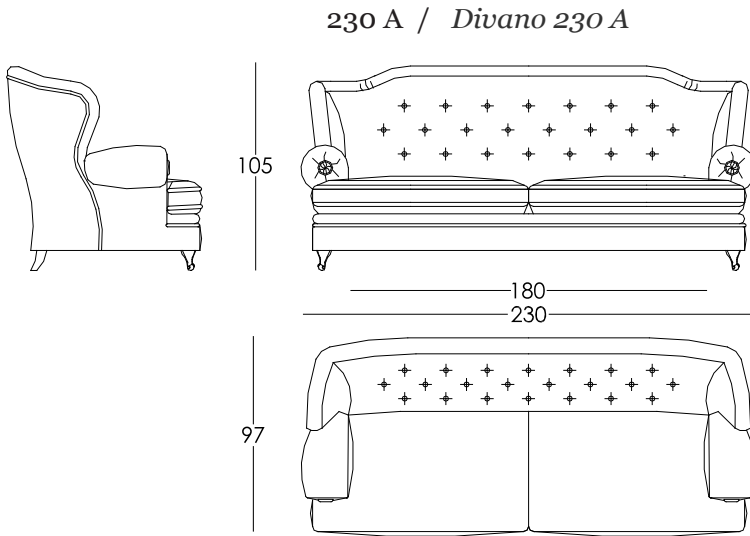
**Sewing:** cuts and sewings may vary on different fabric coverings.

**Feet:** The model is equipped with wooden “capriole” feet 13 cm high made of oak-wood. Available in walnut (0010), walnut+golden (0011), walnut+silver (0012), wenge (0013), white (0014), sand(0015), stained beech (0016), white patina (0017), gold (0018), gold patina (0019), silver (0020), silver patina (0021). Some versions may be equipped with additional hidden feet with a supporting structural function.

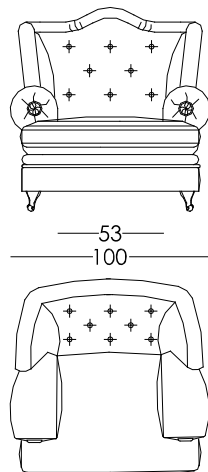
**Décor:** model is decorated with piping all around seat cushions, base and back padding. Armrests are decorated with sockets when sofa is made of fabric. When made of leather sockets will be replaced by buttons covered in leather.

***Please, note that all pillows should be ordered separately.***

With the reservation of carrying for production purposes and without advanced notices modifications on the materials, coverings and dimensions of the product as indicated in the relevant specification. The given dimensions and volume are of indicative value being subject to the production process tolerances.



**100 A / Poltrona**



**Pouf / Pouf**

